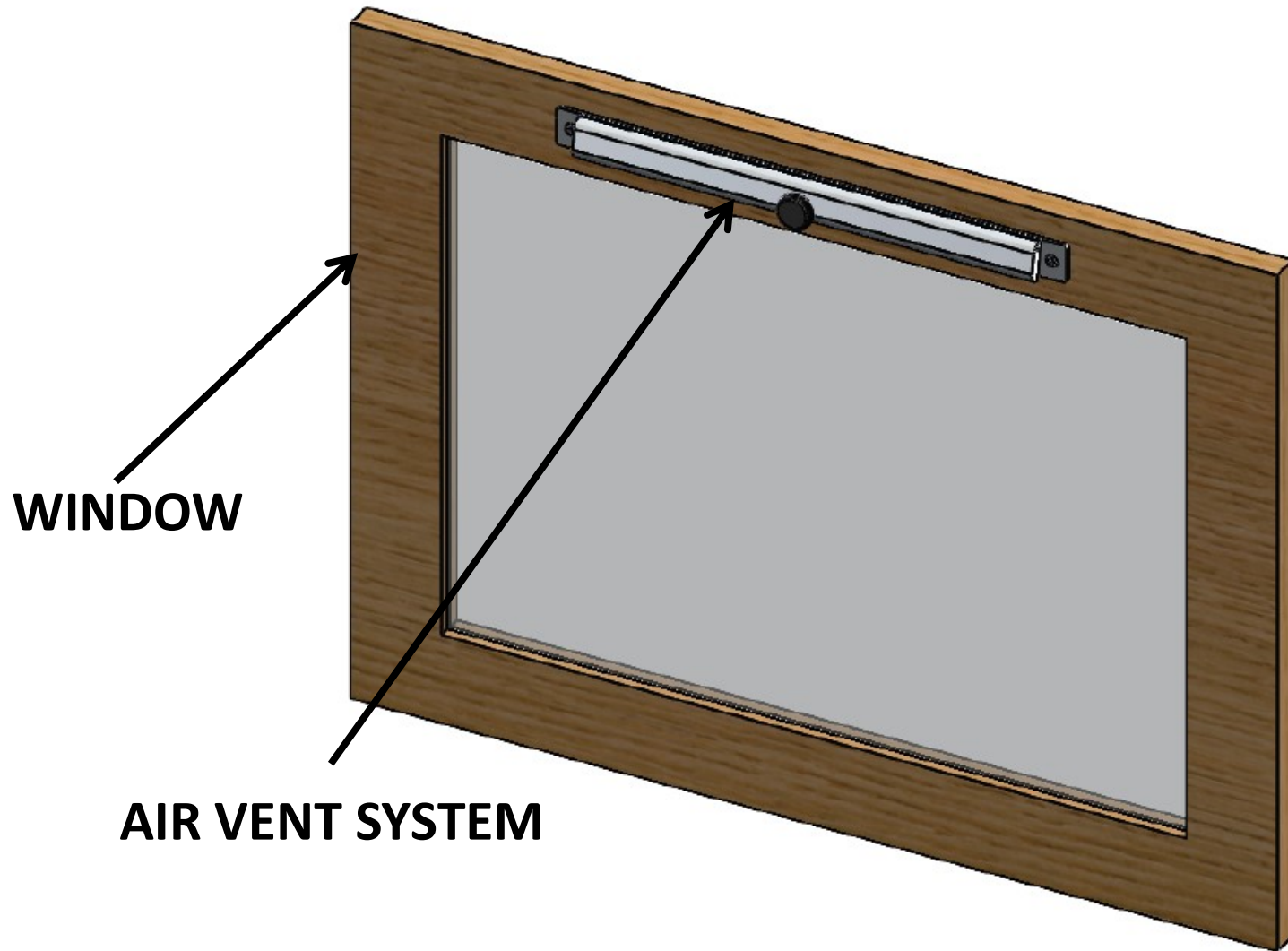


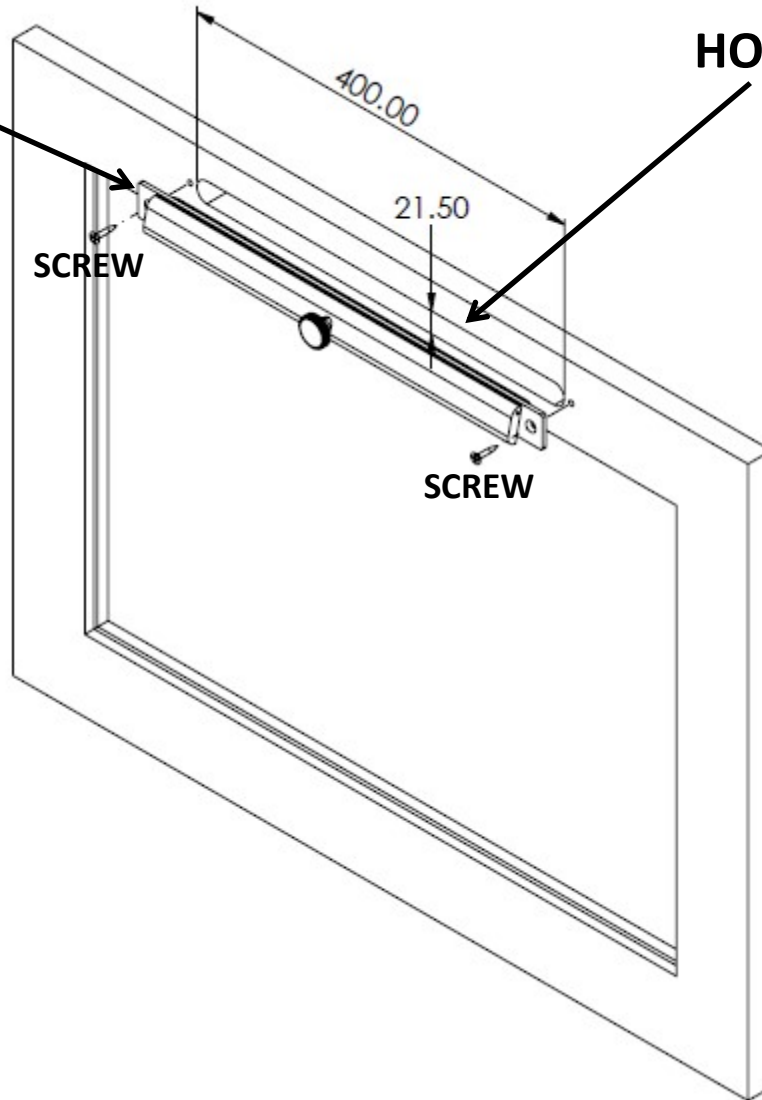
# WINDOW AIR VENT



# ASSEMBLY

AIR VENT SYSTEM

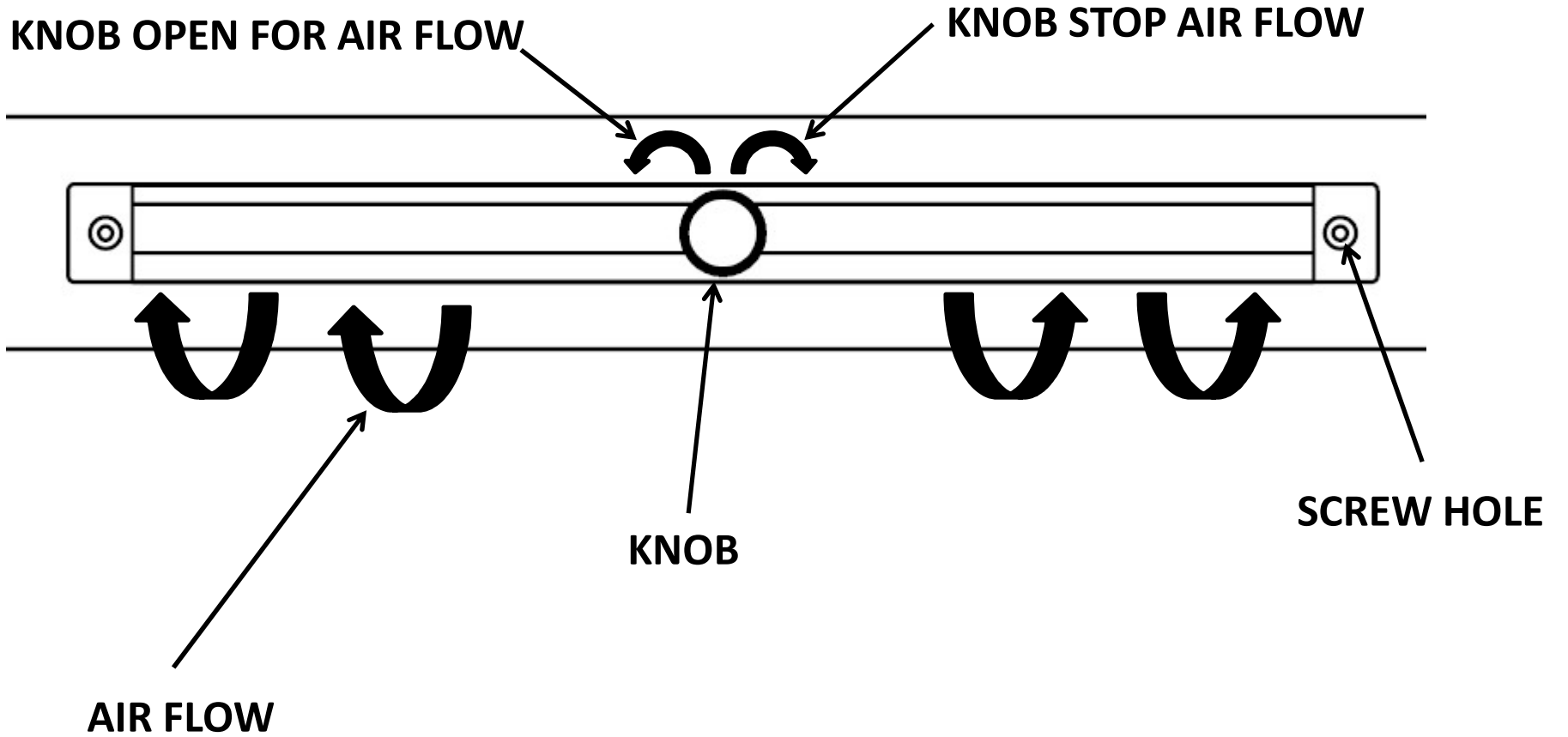
HOLE TO FIT AIR VENT

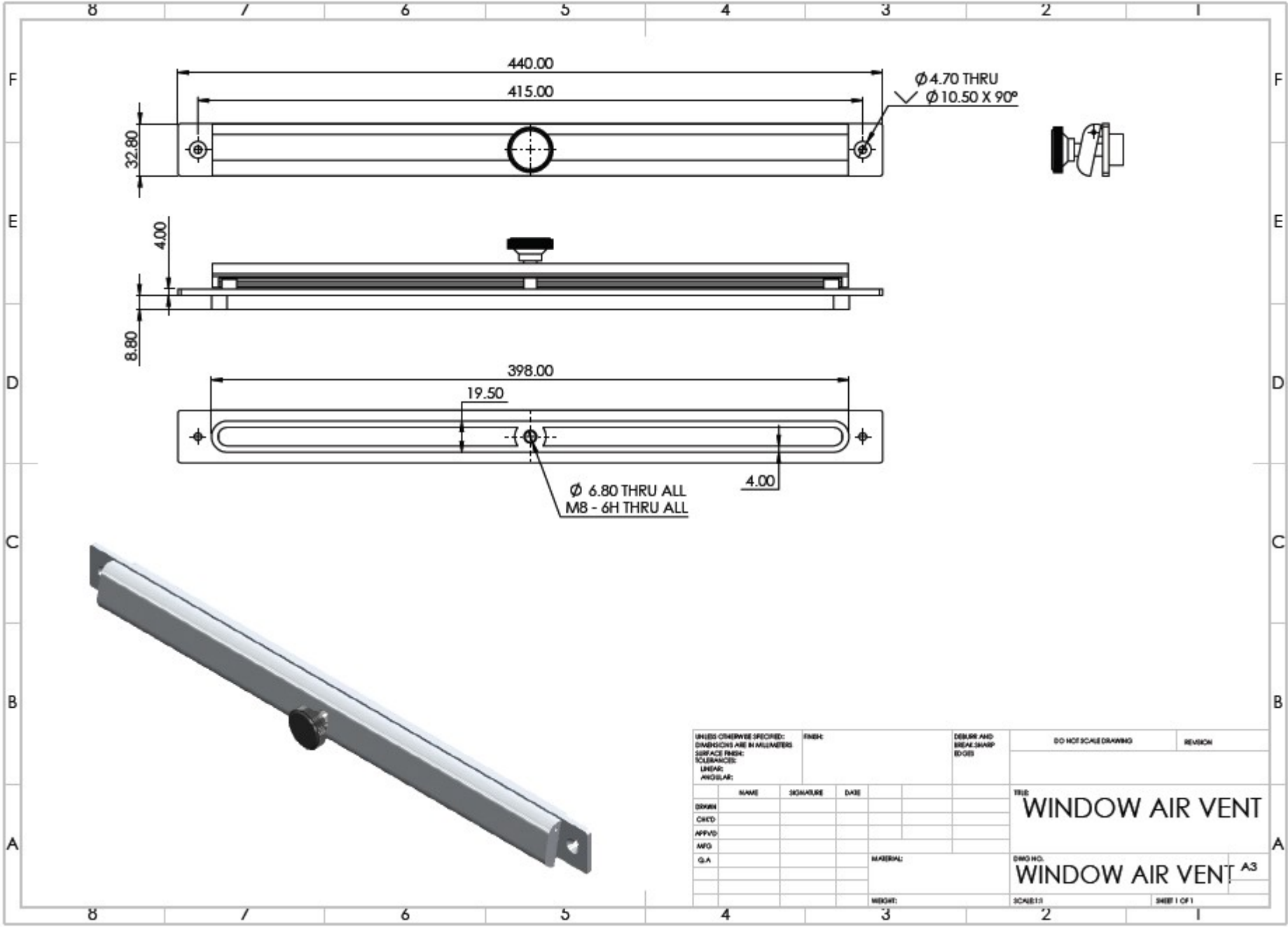


SCREW

SCREW

# FUNCTION





UNLESS OTHERWISE SPECIFIED: DIMENSIONS ARE IN MILLIMETERS SURFACE FINISH: CLEARANCE: LINEAR: ANGULAR:			FINISH:	DETAILS AND BREAK SHARP EDGES:	DO NOT SCALE DRAWING	REVISION:
DRWN:	NAME:	SIGNATURE:	DATE:		TITLE: <b>WINDOW AIR VENT</b>	
CHKD:					DRWG NO.:	
APPVD:					<b>WINDOW AIR VENT</b> A3	
MFG:				MATERIAL:	SCALE: 1:1	
G.A.:				HEIGHT:	SHEET 1 OF 1	