

	1	2	3	4		
Rev	Note			CreatedBy	Appr.By	Appr.Date

A

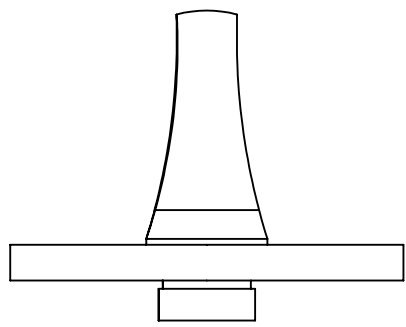
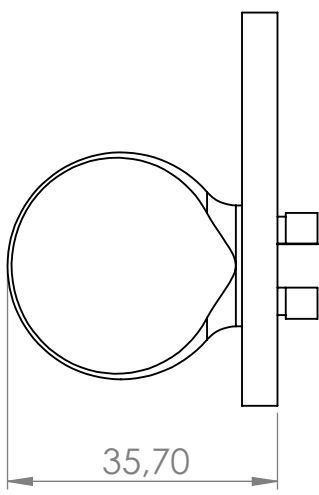
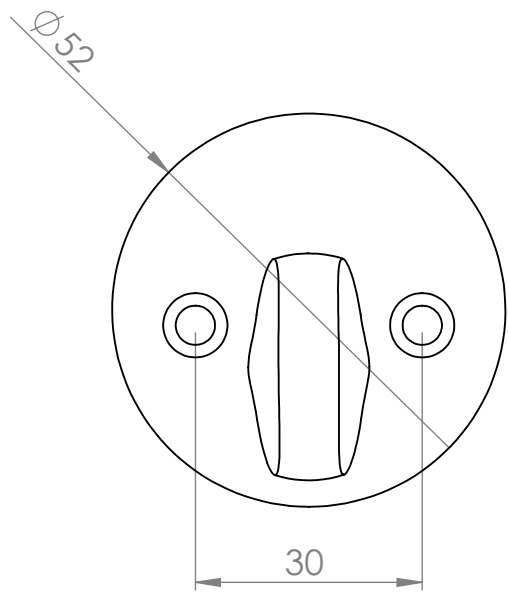
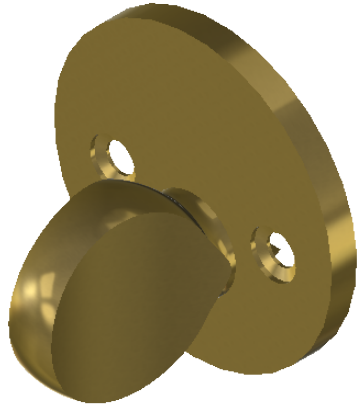
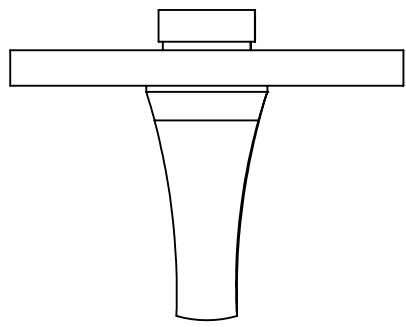
B

C

D

E

F



		Tolerance		Project		
	Sign.	Date	Surface treatment	Weight	Scale	First angle projection
Drawn			Surface finish		0 1:1	
Appr.			Heat treatment	Material		Sheet
			Title/Description		1/1	
					Drawing number	
			18087 TS 1 Thumb Turn			

18087 TS 1 Thumb Turn