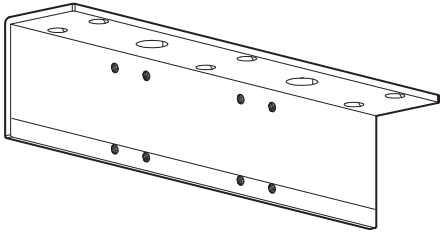
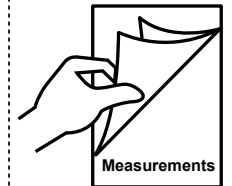
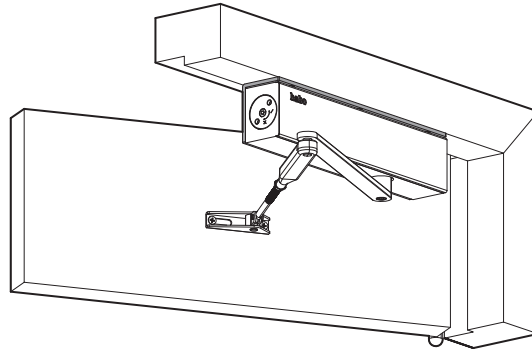


ANGLE BRACKET 30603



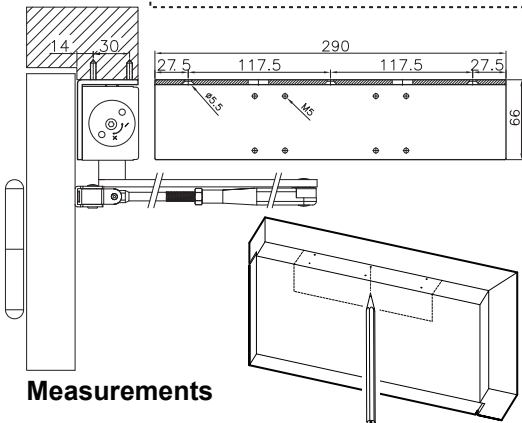
In the door pushing direction, the angle bracket can be used for mounting door closers with frame depths over 60 mm.



Pick the proper AI for the right position.

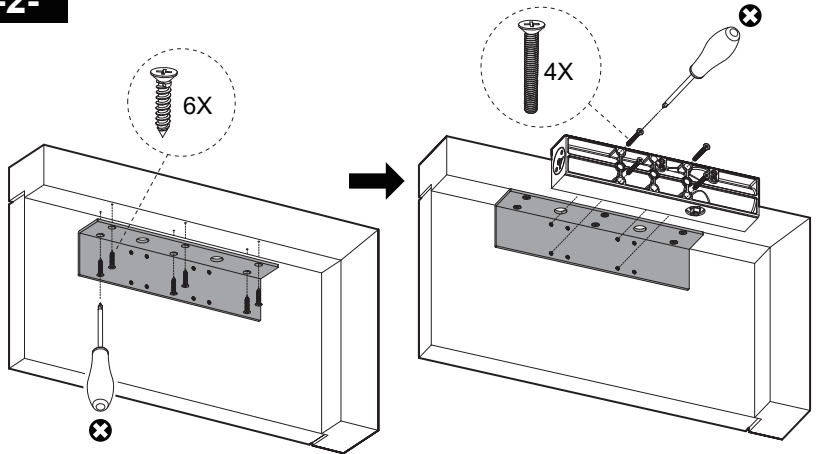
-1-

Mark and make pre-drilled holes according to the measurements.

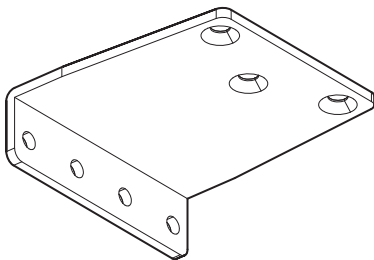


Measurements

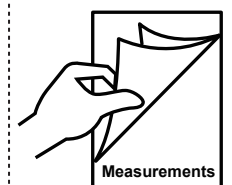
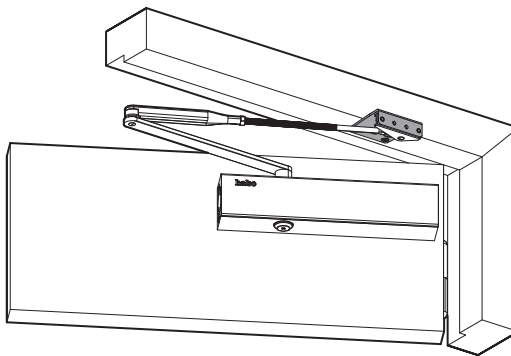
-2-



ARM FITTING 30609



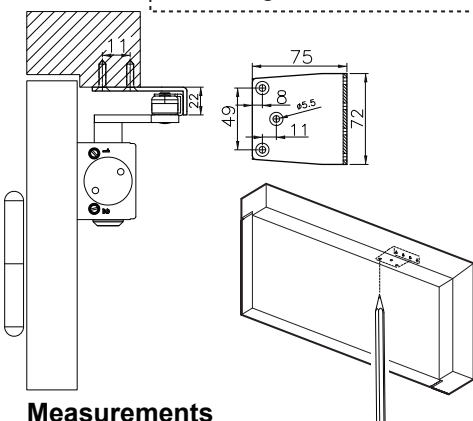
In the door pushing direction, this can be mounted under the frame, when the door closer needs to be mounted on the door leaf.



Pick the proper AI for the right position.

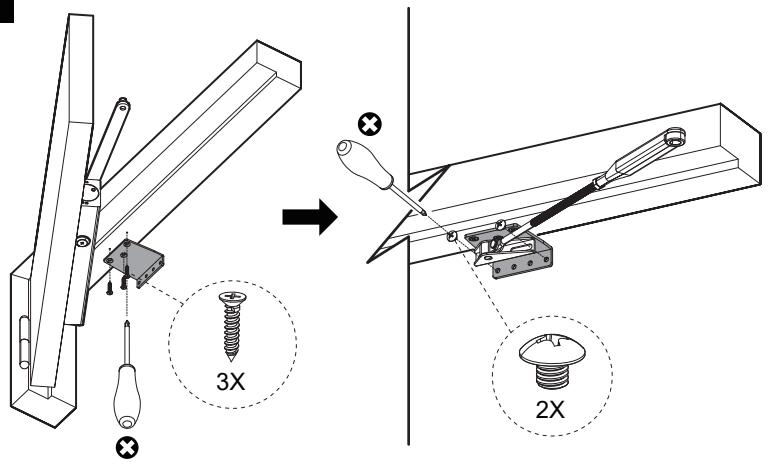
-1-

Mark and make pre-drilled holes according to the measurements.

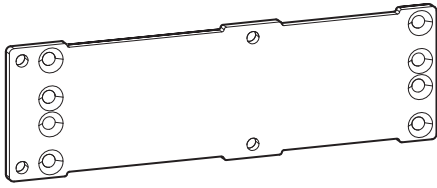


Measurements

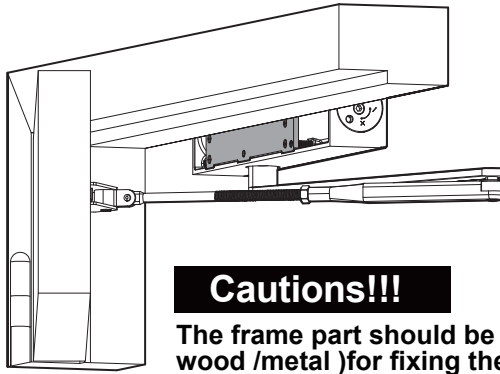
-2-



BRACKET 30608



A This bracket can be used for mounting door closers with low frames or there is no enough flat place to hold it.



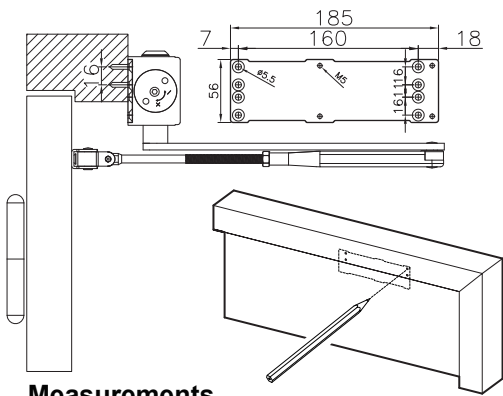
Pick the proper AI for the right position.

Cautions!!!

The frame part should be strong enough (solid wood / metal) for fixing the door closer.

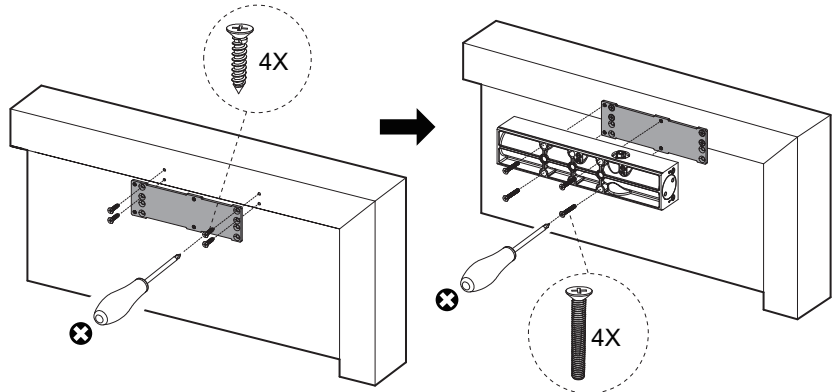
A-1

Mark and make pre-drilled holes according to the measurements.



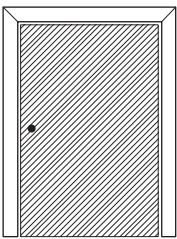
Measurements

A-2

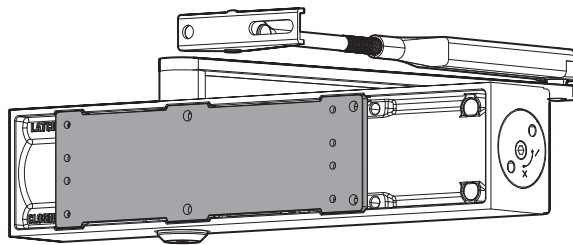
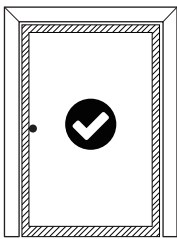


B This bracket can be used for mounting door closers on frame doors.

Solid door



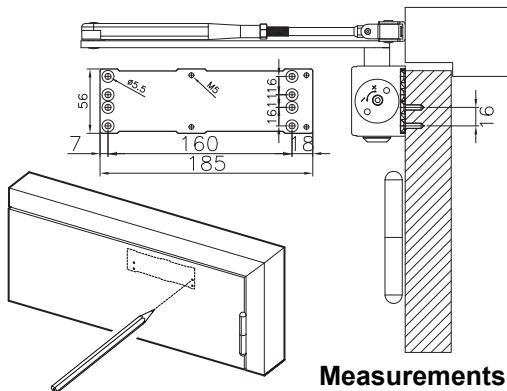
Frame door



Pick the proper AI for the right position.

B-1

Mark and make pre-drilled holes according to the measurements.



Measurements

B-2

