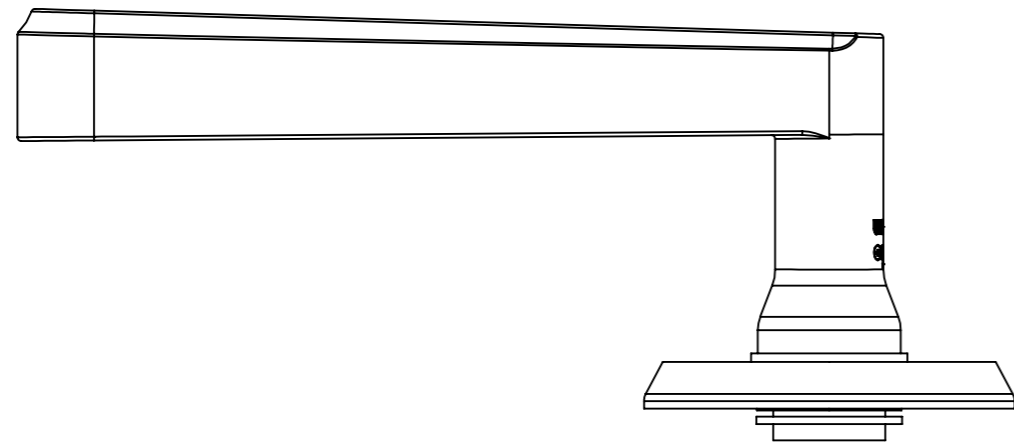
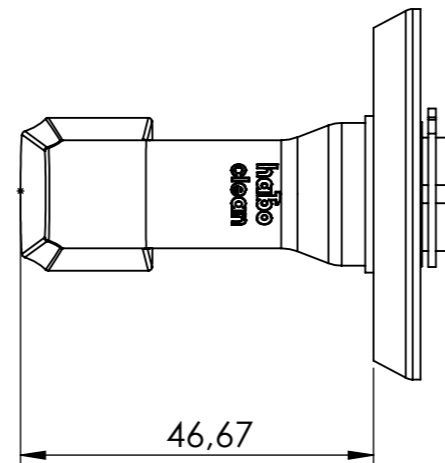
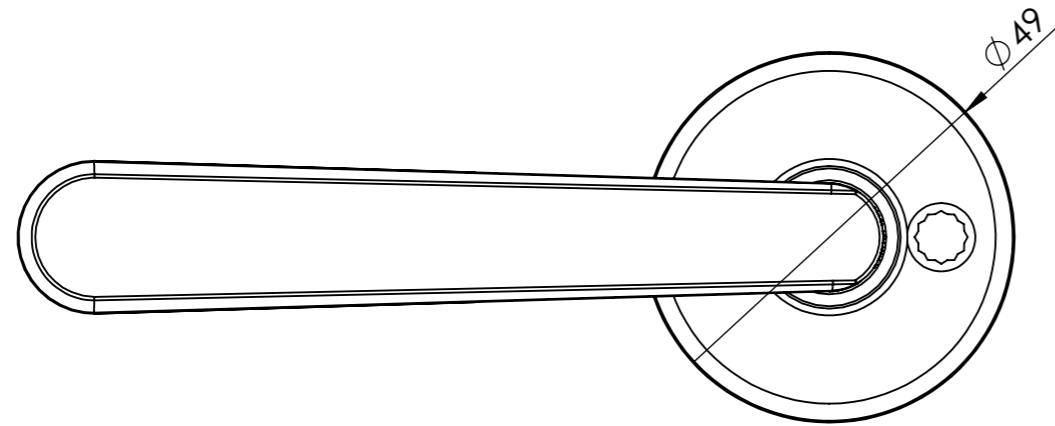
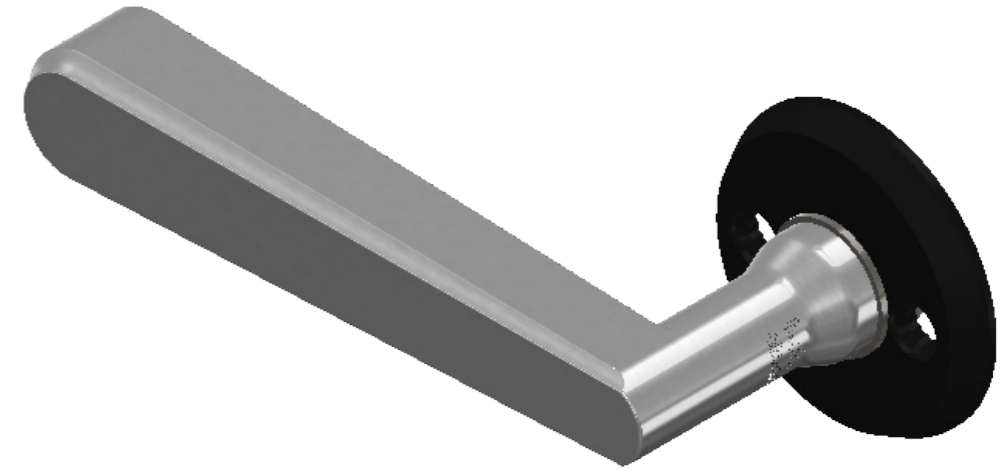
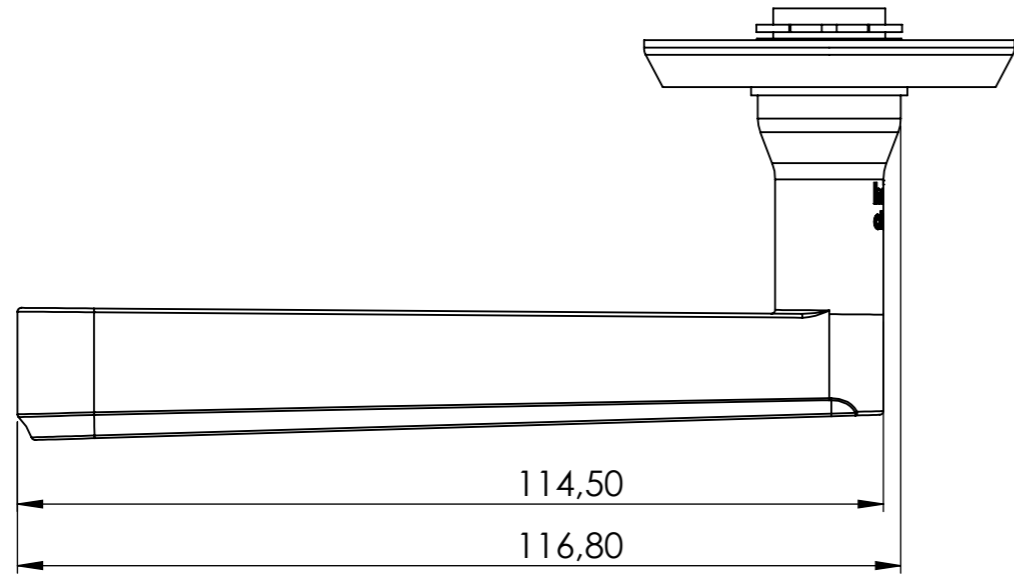


Rev	Note	CreatedBy	Appr.By	Appr.Date



		Tolerance			Project
	Sign.	Date	Surface treatment		Weight
Drawn	CF	2017-10-06	Surface finish		Scale 1:1
Appr.			Heat treatment		Material
			Title/Description	17235	Sheet 1/1
					Rev



17235